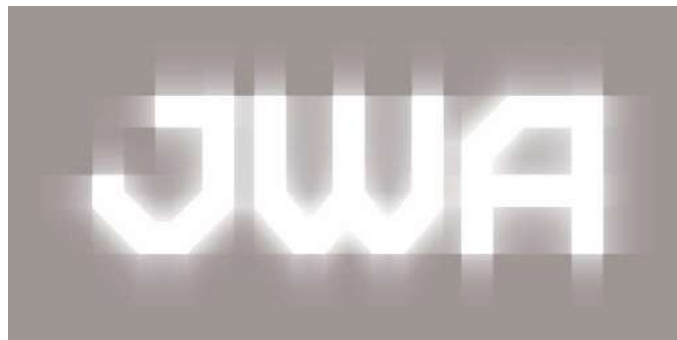
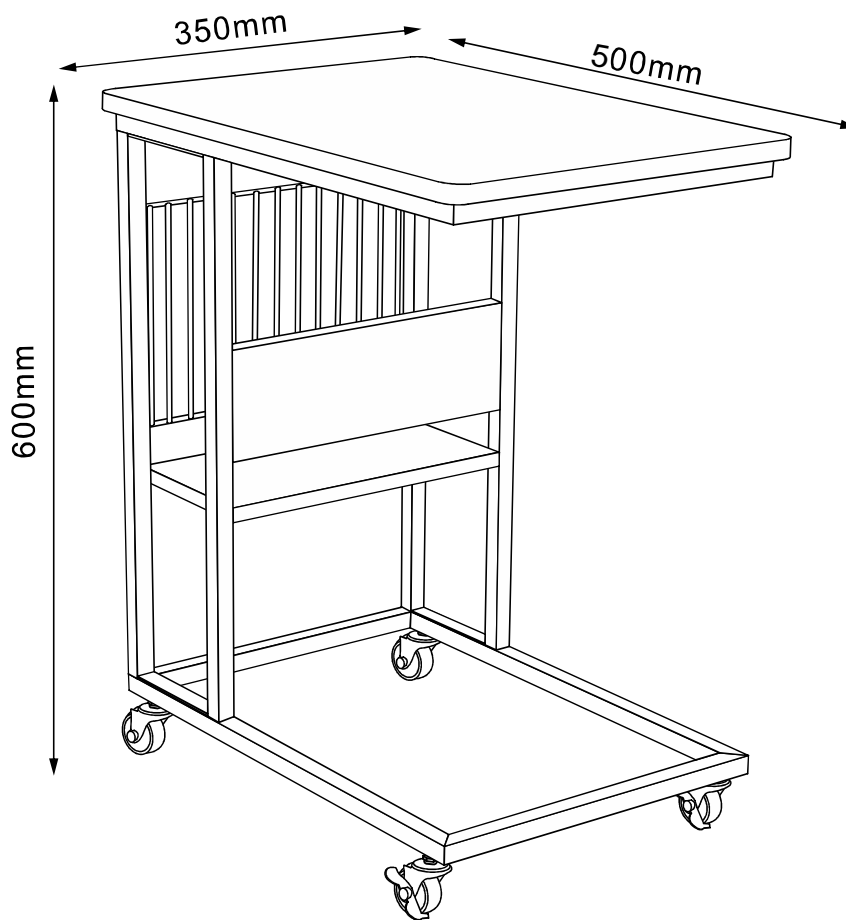


ASSEMBLY INSTRUCTION

MORROW

C Table

ITEM CODE 75127

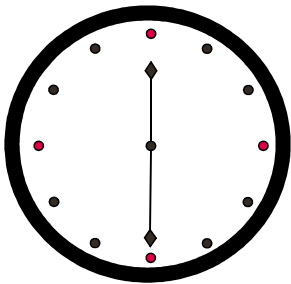




Imported by JWA Furniture Pty Ltd, Qld, Brisbane Australia.
For any assistance with assembly or for missing parts please refer to your receipt

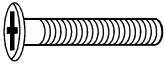

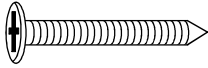
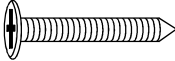
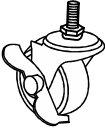
PRE-ASSEMBLY PREPARATION

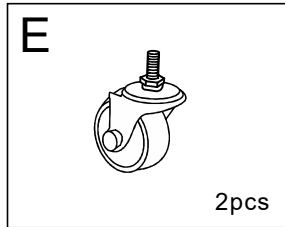
Before you start:

1. Choose a clean, level, spacious assembly area. Avoid hard surfaces that may damage the product
2. Take care when lifting. Product should be assembled as near as possible to the point of use
3. Ensure that you have all required contents for complete assembly
4. Always read the assembly instructions carefully before beginning assembly.
5. Keep all hardware parts and packaging out of reach of small children.
6. Do not over tighten the screws and bolts as this may damage the threads
7. Assembly is to be carried out by a competent adult(s) ONLY
8. During assembly, children should be kept away from the product due to possible risk to injury.
9. Do not use this item if any components are missing or damaged.
10. Please keep the instructions for future reference.

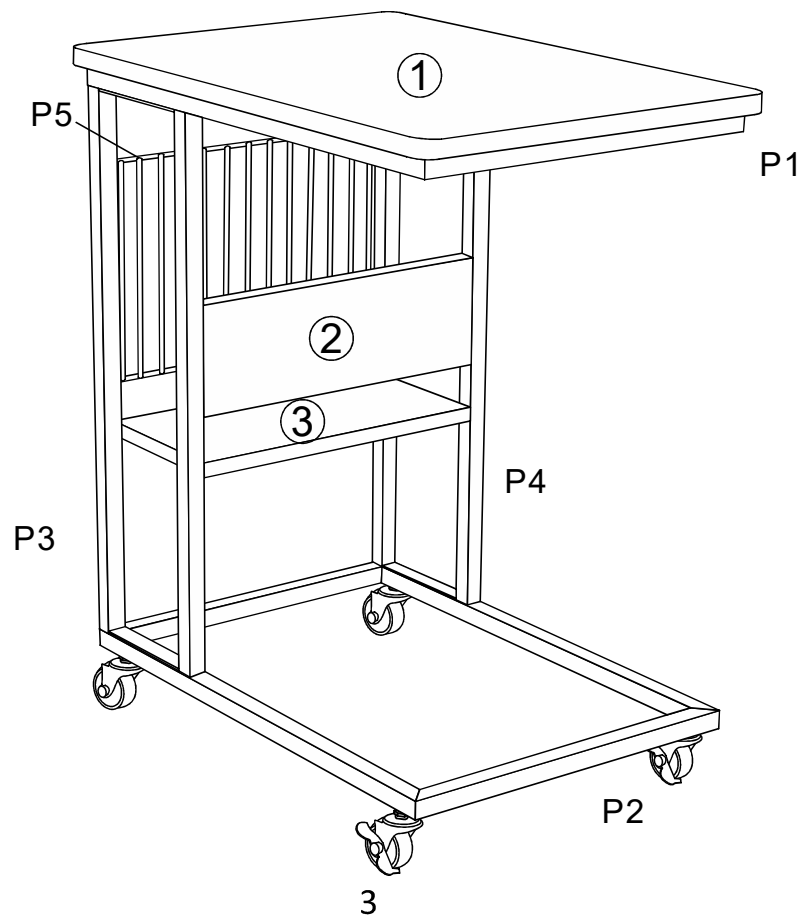
		
Allow 30min	For 1 person	Additional tools required

PARTS LIST

<p>A1</p>  <p>M6X30mm 8pcs</p>	<p>A2</p>  <p>M6X25mm 6pcs</p>	<p>B</p>  <p>ST5X50mm 4pcs</p>	<p>C</p>  <p>ST5X40mm 4pcs</p>	<p>D</p>  <p>2pcs</p>
--	--	--	---	---

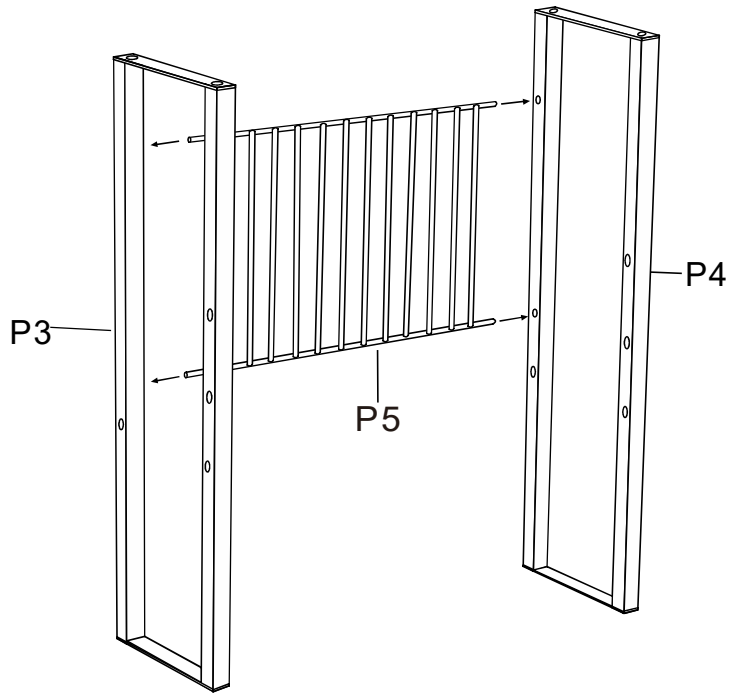


1	Top Panel
2	Middle Panel
3	Bottom Panel
P1	Upper frame
P2	Bottom frame
P3	Left frame
P4	Right frame
P5	Iron net



STEP 1:

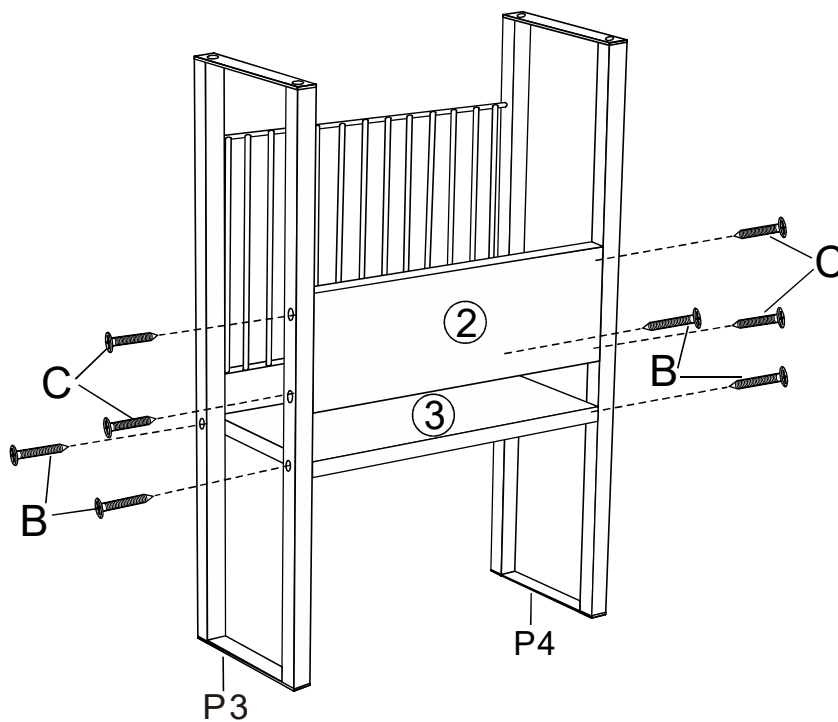
1. Insert P5 into P3 and P4;



STEP 2:

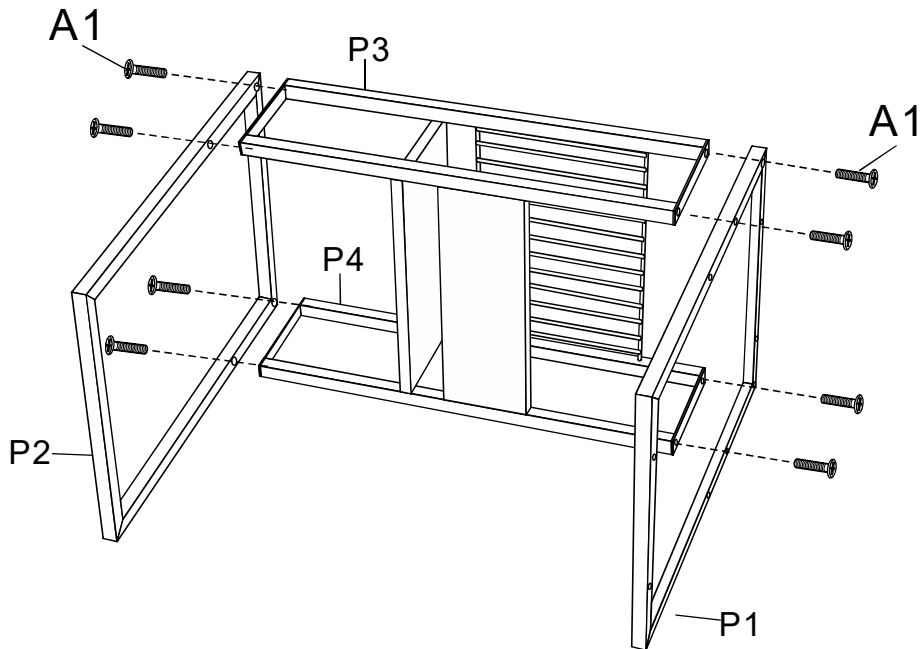
1. Attach Panel 3 to P3 and P4 with Part B.

2. Then attach Panel 2 to P3 and P4 with Part C.



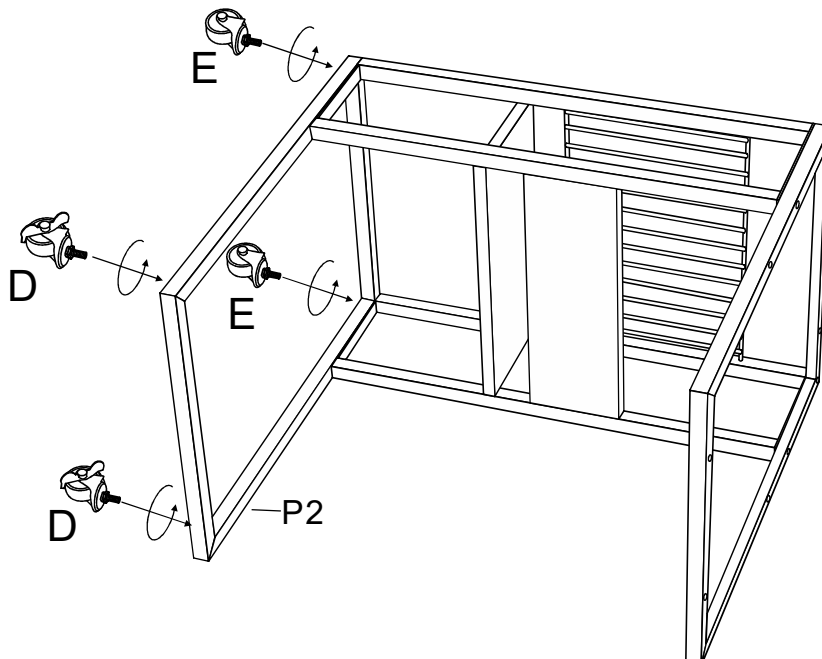
STEP 3:

1. Attach P1 and P2 to P3 & P4 with Part A1.



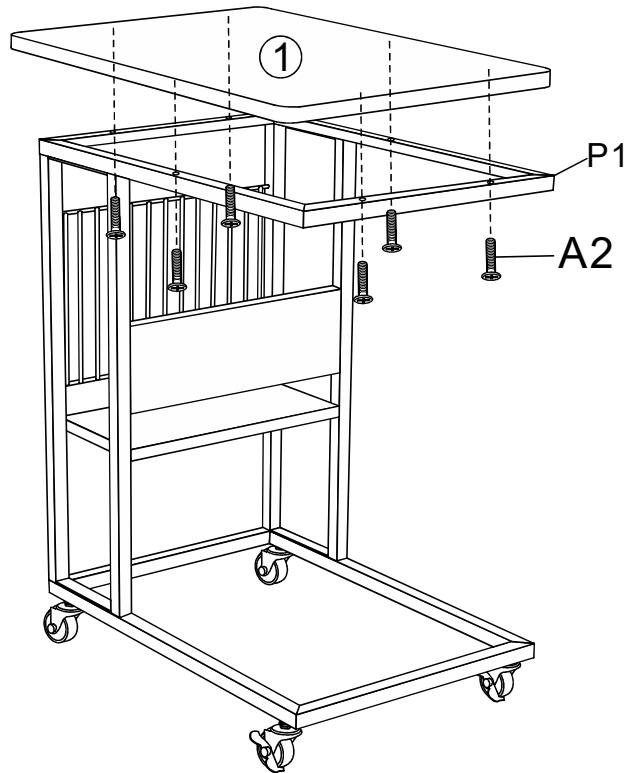
STEP 4:

1. Insert Part E and D into P 2.



STEP 5:

1. Attach Panel 1 to P1 with Part A2.



STEP 6:

Assembly complete!



To protect your furniture, we suggest the following:

- Avoid placing your furniture in direct sunlight.
- Do not place furniture directly under windows.
- Do not place sharp materials (knife, fork, etc.) directly onto your furniture as sharp material may scrape and damage the finish.
- Do not place material with high temperature directly onto the surface of your furniture.
- Clean up spills quickly. Water left over a prolonged period of time may cause damage. Alcohol, perfume, nail polishes, aftershave and some medication may cause severe finish damage if not cleaned immediately.
- Use a clean, soft, dry, lint free absorbent cloth to clean your furniture. Do not use any detergent as they may contain ingredients that may react and damage the finish.

NOTE: If the above care advise is not adhered to your product warranty may become void